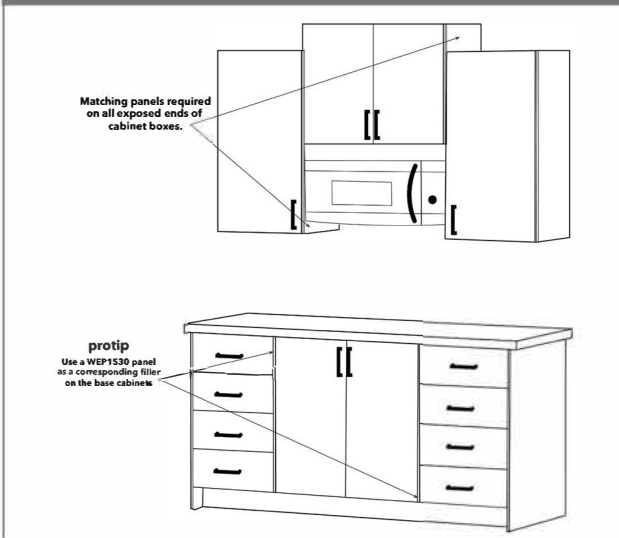


FIG 1.1: FINISHED SIDE PANELS



Our **altaeuro** frameless cabinet boxes feature a universal grey linen box color in and out. When designing with **altaeuro**, a 3/4" panel is required anytime there is an exposed end. Remember to also use a panel next to appliances or when varying cabinet heights are used.

protip - To align the wall and base cabinets, use a WEP1530 (cut in half) as a filler on the base cabinets to correspond with the panels on the wall cabinets. See FIG 1.1

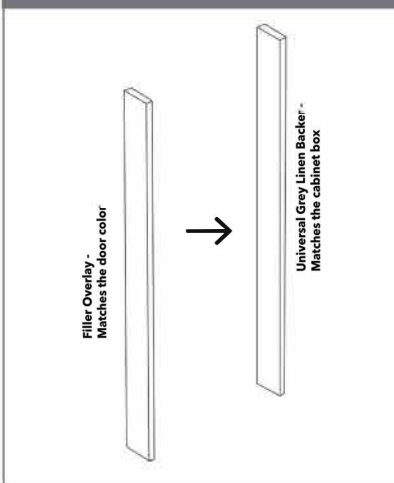
Frameless side panels are oversized and designed to be trimmed down in order to come flush with the door front, giving an inset appearance.

When using in an island or peninsula application, the finished panel should be flush with the back panel and door/drawer front. See FIG 1.2

FIG 1.2: FINISHED SIDE PANELS



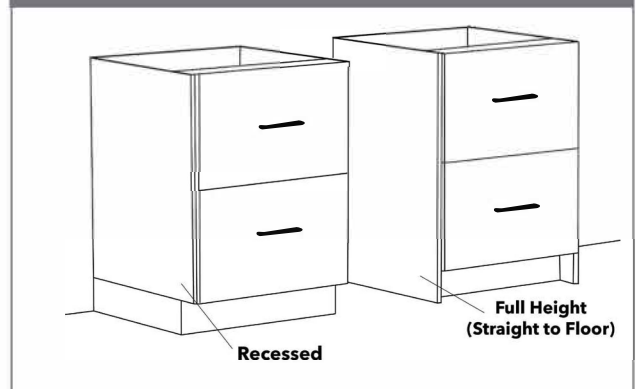
FIG 2: FILLERS



Our altaeuro fillers include a backer and separate front overlay piece. The backer is the same grey linen color as the cabinet box, and the overlay filler matches the door material. See FIG 2

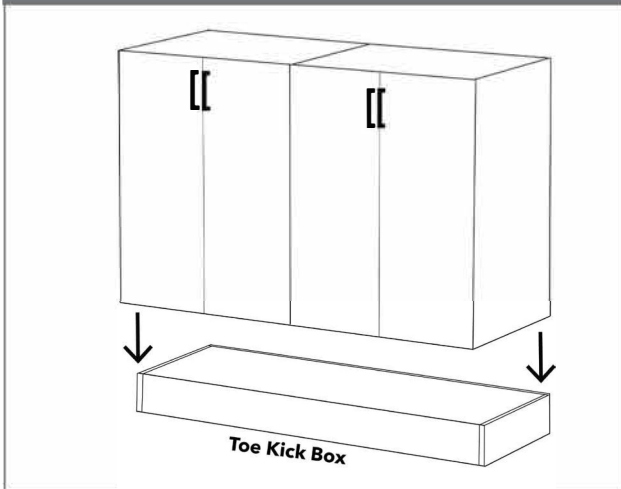
Frameless base end panels can either be installed with a recessed 4-1/2"H toe kick, or they can be used at full height and placed directly onto the floor. See FIG 3

FIG 3: END PANEL INSTALLATION TYPES



*To maintain the contemporary style of our **altaeuro** line, we offer Wall Easy Reach cabinets and a full range of Blind Corner cabinets as a clean-lined alternative to a diagonal corner.

FIG 4: TOE KICK BOX



When designing islands and peninsulas, it is not recommended to use the adjustable legs at the base of the cabinetry, as this can cause slipping. To ensure stability, a **toe kick box** can be secured to the floor, then the cabinets can be attached to the toe kick box frame. See FIG 4

Our **altaeuro tall cabinets** feature a 72" H standardized box. To reach the desired overall height of either 84, 89 or 94"*, a wall cabinet can be stacked on top of the tall utility box.

Our 24" deep wall cabinets are available in heights of 12, 18 or 23". See FIG 5

FIG 5: UTILITY CABINETS

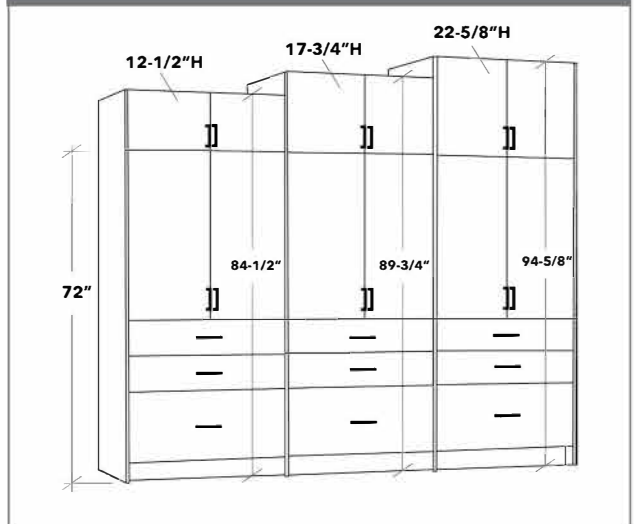
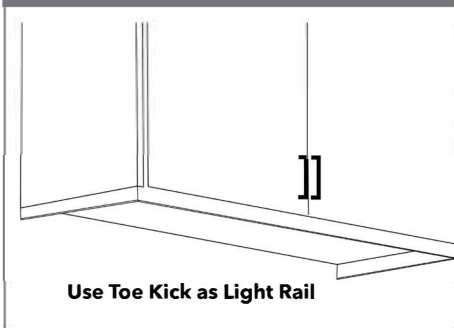


FIG 6: LIGHT RAIL

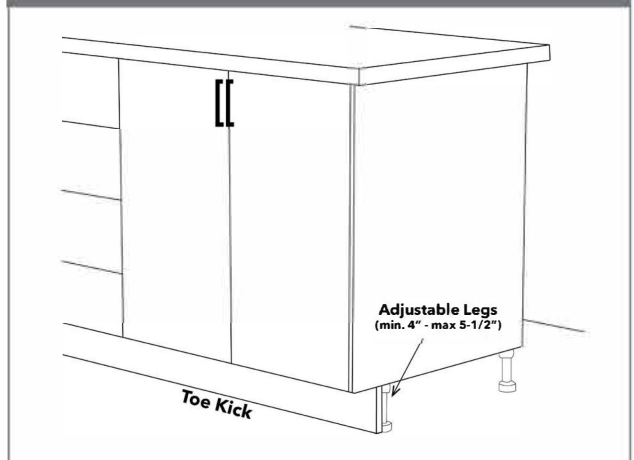


To construct a light rail, utilize toe kick molding with the light strip tucked behind.

The toe kick can be cut down to the desired length and height. See FIG 6

altaeuro base cabinets are designed without an integrated toe kick. The cabinets come with adjustable legs, and the toe kick can be attached onto the front of the legs. See FIG 7

FIG 7: ADJUSTABLE LEGS



*Refer to specifications for exact heights and depths, as **altaeuro** does not use standard sizes on most cabinets, fillers and panels.